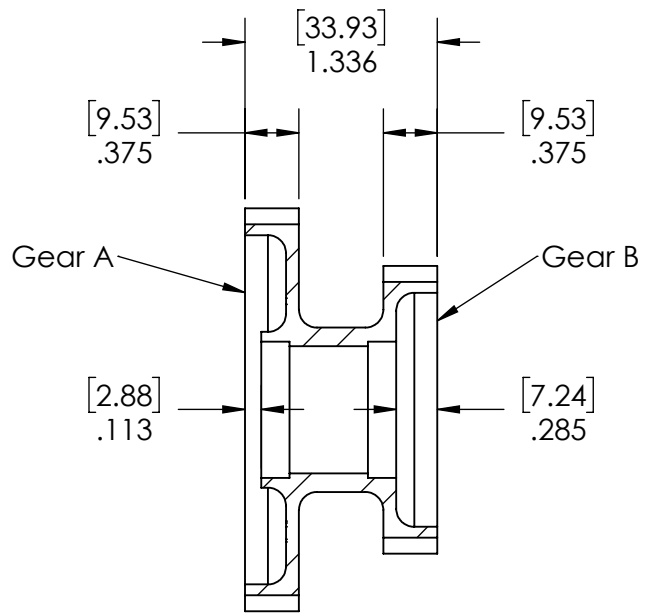
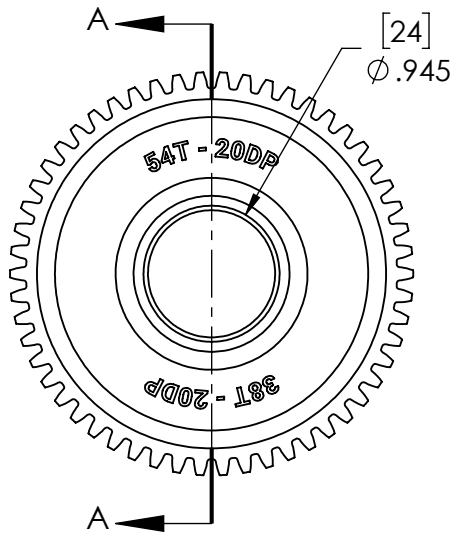
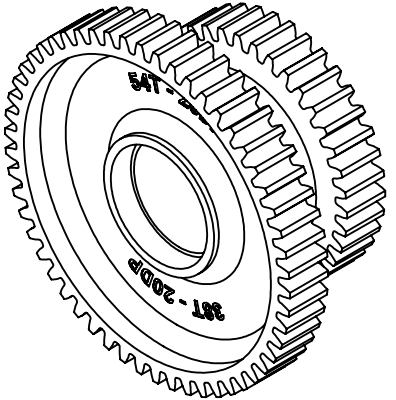


Part #	Gear A	Gear B	Material
WCP-1713	54	38	4140 Steel
WCP-1714	54	38	7075-T6 Aluminum
WCP-1715	54	40	4140 Steel
WCP-1716	54	40	7075-T6 Aluminum



SECTION A-A



Description		WCP Swerve X2 Drive Double Gear	
Dwg No		Web-Swerve X2 Drive Double Gear	
Project		FIRST Robotics - FRC	Sheet 1 of 1
Release	10/25/2024	ALL DIMENSIONS ARE IN INCHES [MM].	

WWW.WCPRODUCTS.COM